



We're more than valves... We're solutions.

## Proportional Solenoid Valves





# Proportional Valves

## Wattmizer Series

### Standard Specifications:

**Valve Type:** 2-Way Normally Closed (proportional)

**Media:** Air & Inert Gases

**Operating Pressure:** See charts

**Voltages:** 12 or 24 VDC

**Orifice Diameters:** 1/16" or 3/32"

**Coil Type:** 9 Watt- Class "F" 155°C with 1/4" Spades

**Body:** Stainless Steel

**Port Size:** 1/8" NPT

**Seal Material:** Buna N

**Temperature Range:** Normal 40°F to 70°F  
(contact factory for settings outside this range)

**Maximum Hysteresis\*:** 15%

*\*Hysteresis - If an alternating magnetic field is applied to the material, its magnetization will trace out a loop called a hysteresis loop. The lack of retracability of the magnetization curve is the property called hysteresis and it is related to the existence of magnetic domains in the material.*

### Wattmizer Proportional Solenoid Valves

Solenoid Solutions' Wattmizer Proportional Valves are designed to regulate the flow of air and gas varying the output flow based on the applied current input to the valve. However, these valves do not operate as shut-off valves. The valves are 2 way, normally closed and are available with a 9 watt coil featuring a combination of 12 or 24 VDC voltages with 1/16" or 3/32" orifices. These valves provide an adjustable programmable controller, ideal for mixing gases. Every valve is fine tuned to each application, and they are 100% laboratory tested. The new proportional valves are economically priced, and available in a wide range of materials, components and configurations.

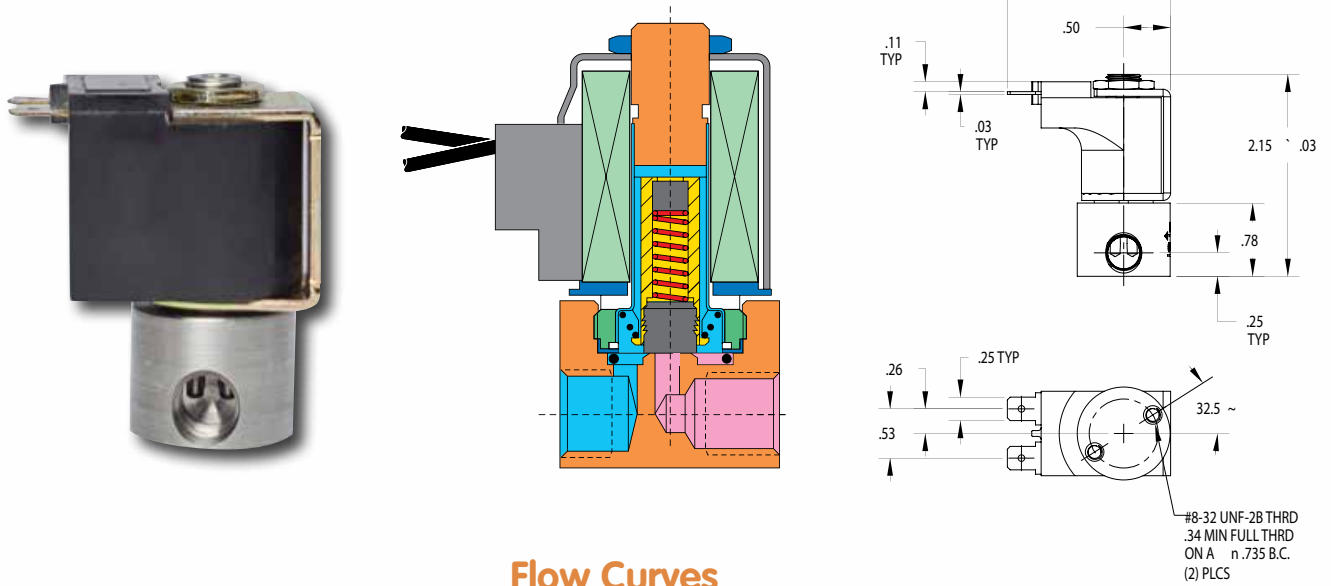
### Features

- For Air or Gas Media
- Miniature Size
- Two Orifice Sizes: 1/16" or 3/32"
- Two Voltages: 12 VDC & 24 VDC
- Adjustable Program Controller
- 100% Lab Tested
- Fast Response
- Energy Efficient
- Long Life... In excess of 10 Million Cycles
- Economically Priced
- Not Bubble Tight

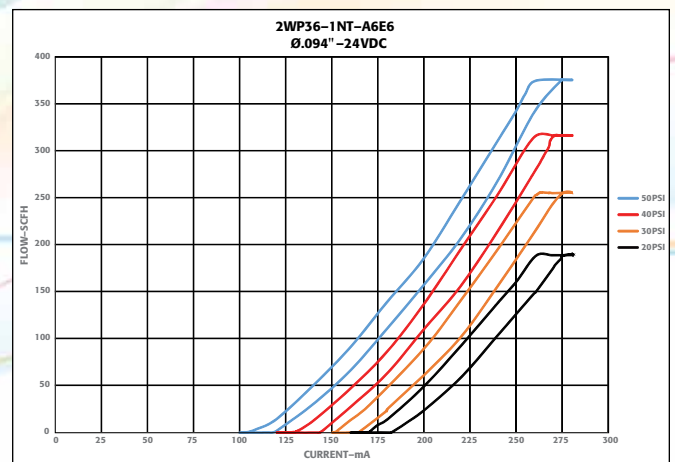
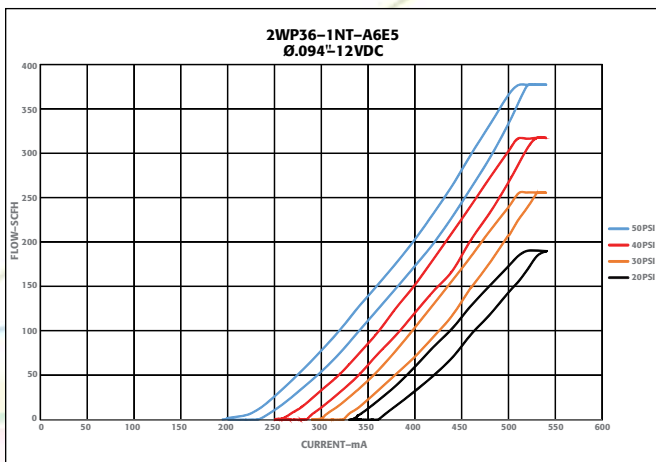
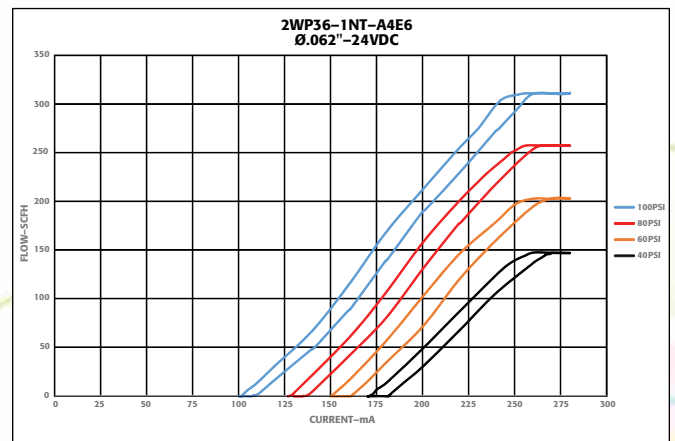
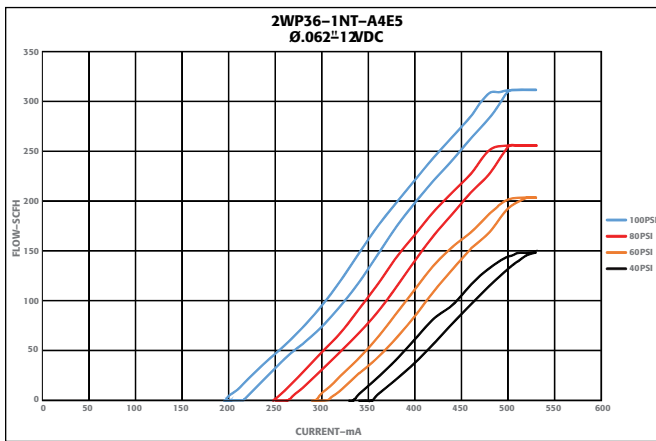
### Applications

- Precise Pressure Control
- Analytical Instruments
- Dental Instruments
- Blood Pressure Monitors
- Medical Equipment
- Plasma Cutters
- Many Other Applications

### Two-Way Normally Closed



### Flow Curves





2251 Manchester Road  
Erie, Pennsylvania 16506-1001 USA  
FAX: 814-833-5439  
[www.solenoidsolutionsinc.com](http://www.solenoidsolutionsinc.com)

**! WARNING !**

**FAILURE OR IMPROPER SELECTION OR IMPROPER USE OF THE PRODUCTS AND/OR SYSTEMS DESCRIBED HEREIN OR RELATED ITEMS CAN CAUSE DEATH. PERSONAL INJURY AND/OR PROPERTY DAMAGE.**

This document and other information from Solenoid Solutions, Inc. provides product and/or system options for further investigation by users having technical expertise. It is important that you analyze all aspects of your application and review the information concerning the product or system in the current catalog. Due to the variety of operation conditions and applications for these products or systems, the user, through his own analysis and testing, is solely responsible for making the final selection of the products and systems and assuring that all performance, safety and warning requirements of the application are met.

The products described herein, including without limitation, product features, specifications, designs, availability and pricing, are subject to change by Solenoid Solutions, Inc. at any time without notice.